

EL 80 E



**Pneumatic wheel lifter for
wheel balancers**



SAFETY AND ERGONOMICS

New design with next-generation linear guides to ensure smooth and reliable performance over time.

Eliminates the risk of injury due to lifting heavy loads.

Wheel height adjustable via the comfortable manual control lever.

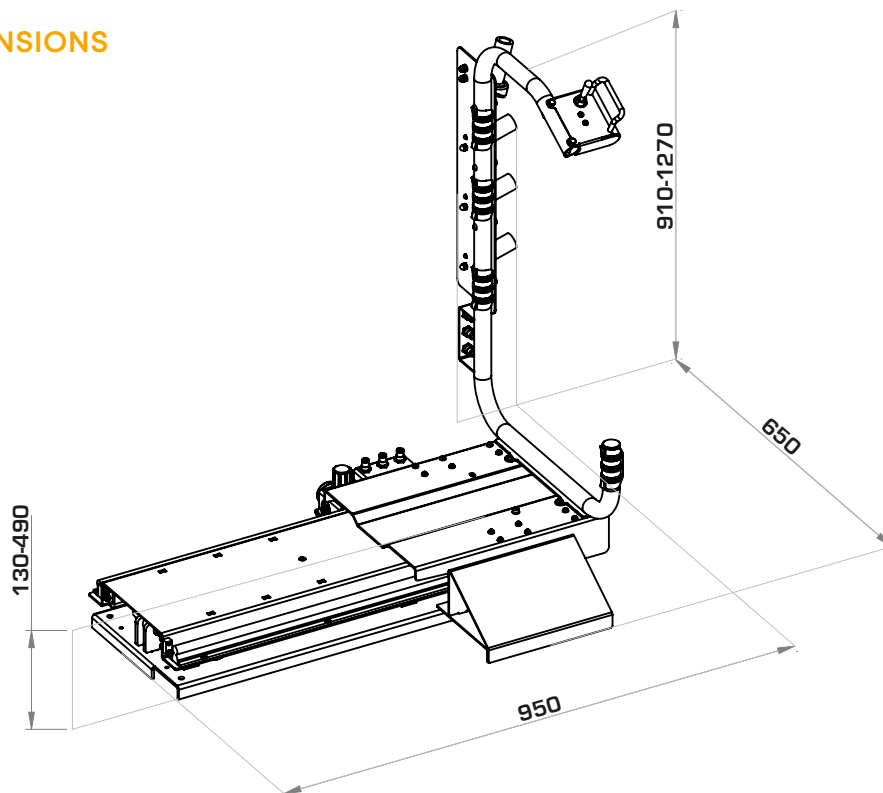
Integrated accessory holder in optimal working position.

TECHNICAL DATA

Capacity	80 kg (175 lbs)
Lifting height	490 mm (19,2")
Min. height	130 mm (5,1")
Max. wheel width	16"
Working pressure	6 ÷ 8 bar (87 ÷ 116 psi)
Air supply pressure	10 bar (145 psi)
Net weight	46 kg (101 lbs)

UNIVERSAL: APPLICABLE TO ANY SICE WHEEL BALANCER

OVERALL DIMENSIONS



REMARK PROTECT - HEALTH AND SAFETY AT WORK

In compliance with workplace health and safety regulations (Legislative Decree 81/2008 – UNI ISO 11228-1), it is recommended not to manually lift loads exceeding 20 kg during frequent or repetitive handling operations. For heavier weights, a mechanical lifting aid must be used. Age and load position may further reduce the recommended limit.