



SICE
AUTOMOTIVE EQUIPMENT

**ELECTROHYDRAULIC LIFT
PSCE 350C B**

REVERSIBLE LOW-PROFILE ELECTROHYDRAULIC SCISSORS LIFT FOR CARS, SUVS AND VANS



- › Alignment ensured by two robust anti-torsion bars
- › Start lever from zero position to maximum height
- › Hot galvanized base as standard, painted scissors, runways and ramps
- › Robust structure of scissors, offering great lateral stability



When fixed to the floor through suitable anchor bolts, the lift is fully compliant to what specified in EN1493:2022 norm.

HYDRAULIC SYSTEM

Redundant hydraulic system with two cylinders per runway, without the need for compressed air and mechanical safety devices.

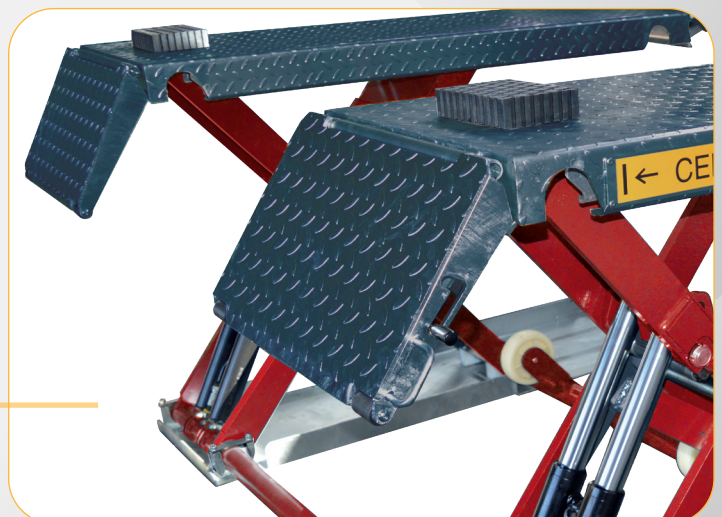


CONTROL UNIT

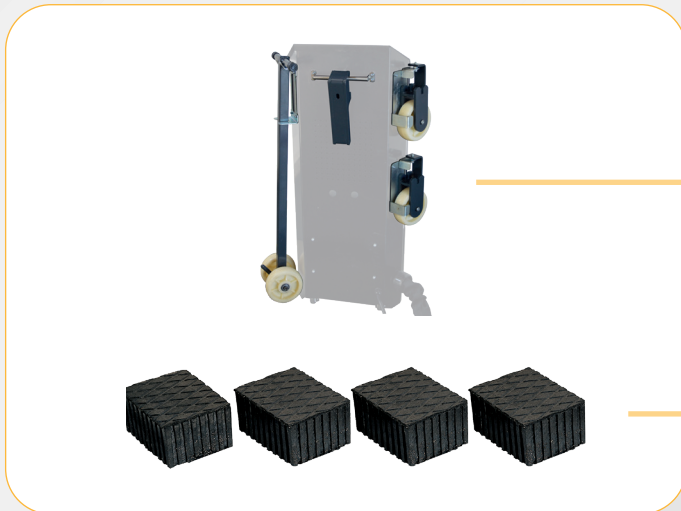
Low voltage control unit with "dead-man" control system.

RUNWAYS WITH FLAPS

Runways with hung flaps, which also serve as ramps to get the vehicle on. Their "almond-shaped" structure ensures good manoeuvrability even in wet conditions.



RECOMMENDED ACCESSORIES

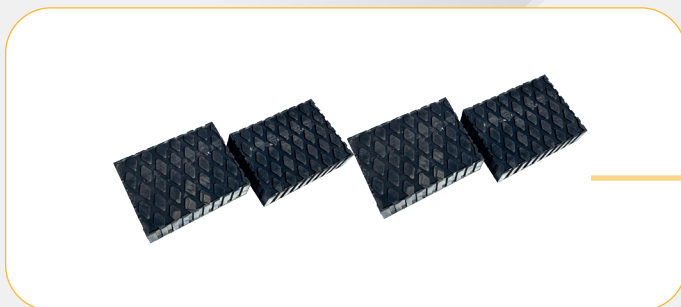


8-41100228
KIT ON CARRIAGE
consisting of wheels and
manual lever

8-42300027
RUBBER BLOCKS
kit of 4 pcs h=80 mm

See separate catalogue for further accessories.

STANDARD ACCESSORIES

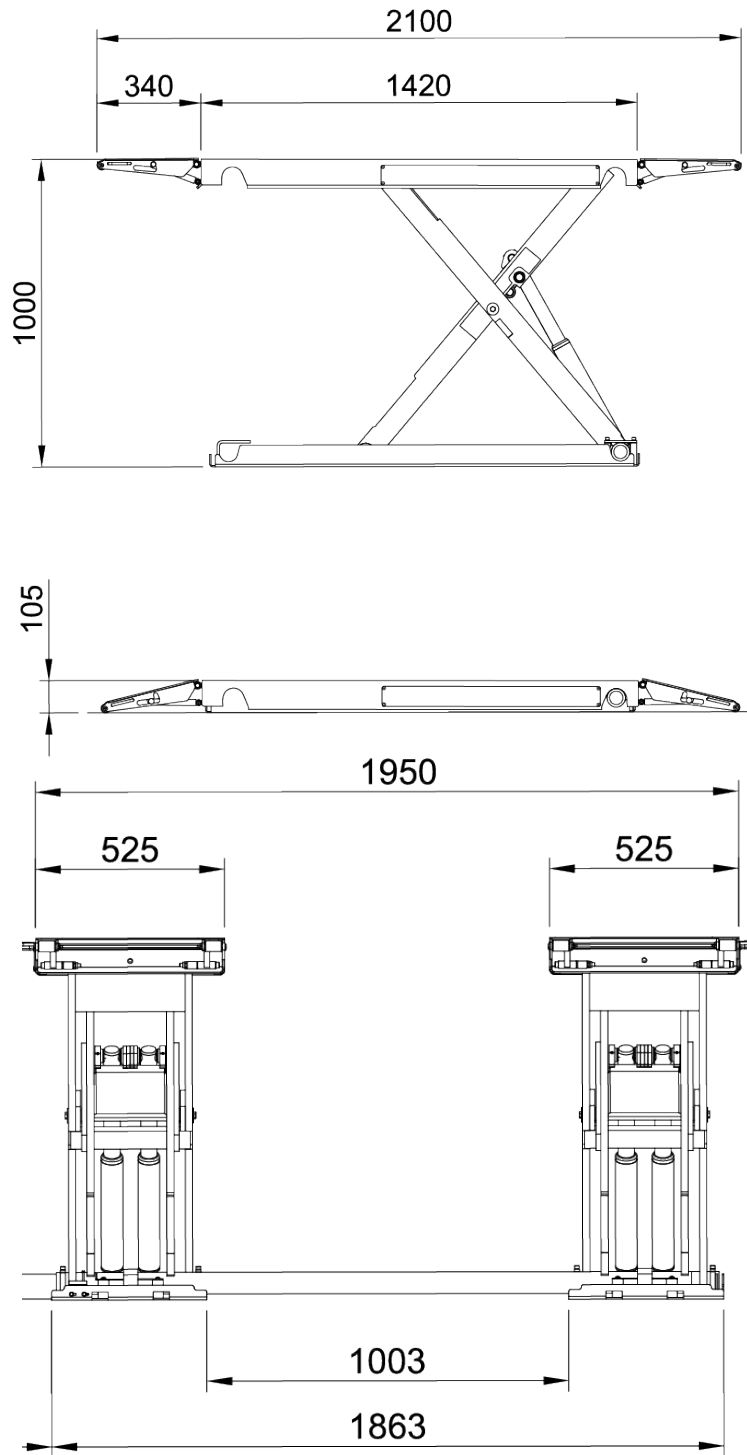


RUBBER BLOCKS
kit of 4 pcs h=80 mm

TECHNICAL DATA

Lift capacity	3500 kg
Maximum lifting height	895 mm
Minimum lifting height	105 mm
Working height	1000 mm + rubber blocks
Lifting/lowering time	16 s
Hydraulic unit	2.2 kW
Voltage	230/400V - 3Ph - 50/60Hz

DIMENSIONS



Cod. DPSC000820 05/2026

The company reserves the right to modify the technical specifications of its products at any time.