

# PSR 55C PSR 45C



**Electrohydraulic underwheel  
scissors type lift**



5500 4500



**Electrohydraulic underwheel scissors type lift for  
total wheel alignment "CT"**

# PSR 55C - PSR 45C

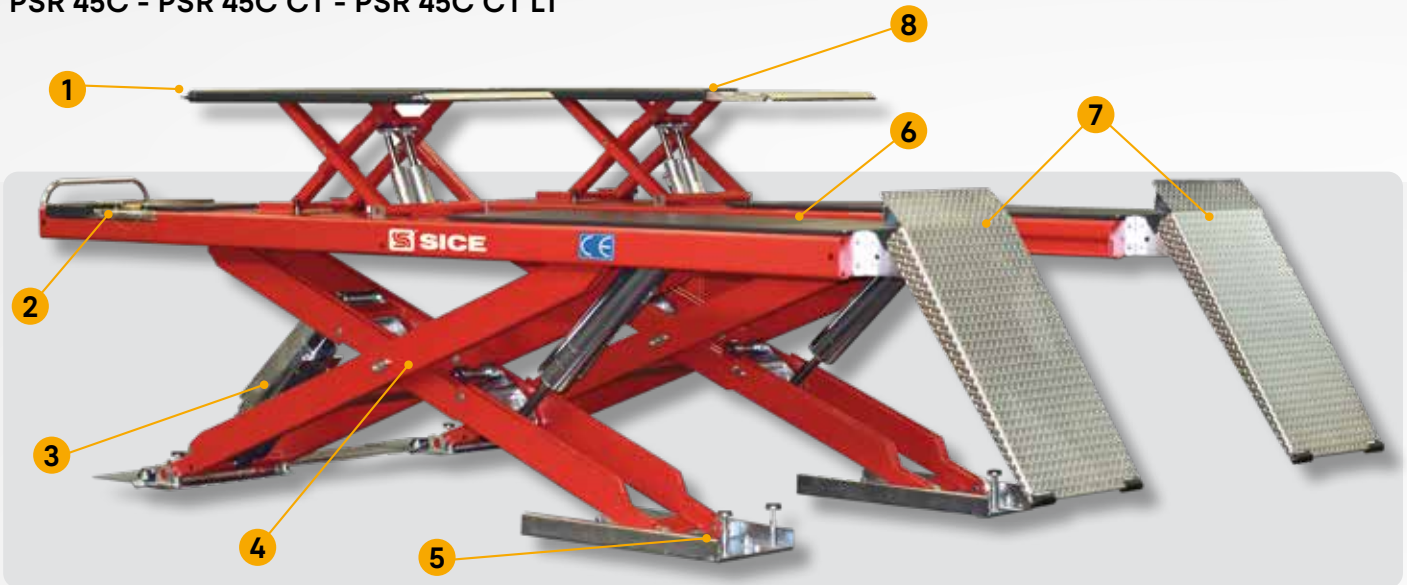


Electrohydraulic underwheel scissors type lift for total wheel alignment "CT" with: - rear oscillating platforms and recesses for front turntables.  
Auxiliary wheel release lift "LT".

Versions available:

PSR 55C - PSR 55C CT - PSR 55C CT LT

PSR 45C - PSR 45C CT - PSR 45C CT LT



1

## LIFT TABLE WITH DOUBLE CYLINDER

Lift table with **double lifting cylinder** to ensure a constant parallel lift movement.

2

## TURNTABLE

**Adjustable** recess for the **turntable**.



3

## ADJUSTABLE MECHANICAL SAFETY DEVICE

**Adjustable mechanical safety device**, also for exact adjustment for wheel alignment.





4

#### DOUBLE LIFTING LEVER

Double lifting lever to ensure a constant parallel lift movement.

#### ADJUST THE BASE FRAME

The wheel alignment versions of the range already include the possibility of adjust the base frame.



5



6

#### SLIDING PLATES

Sliding plates with air central locking.

#### LIFT-TABLE WITH DOUBLE EXTENSIONS

Lift table with double lifting cylinder and **double extensions**, in front and rear, which is very flexible, no movement of vehicle on the lift needed.



7



#### 8 SHORT AND STURDY RAMPS

Easy drive on with **short** and **sturdy ramps** due to very low height.



#### 9 CONTROL UNIT

Control unit with few **essential keys** and **clear** and **intuitive functional icons**.

#### SUPPLIED ACCESSORIES

- Automatic runway levelling system with master/slave hydraulic circuit.
- Self-lubricating bushings on all rotating parts.
- Set of 4 rubber pads.

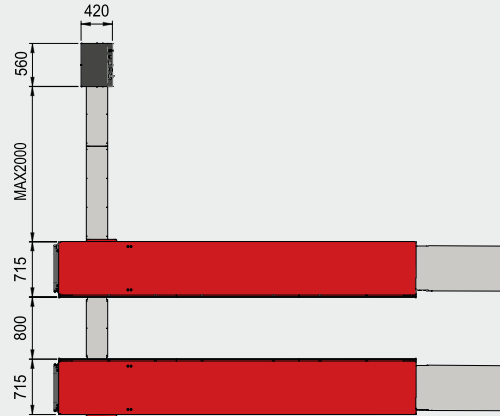
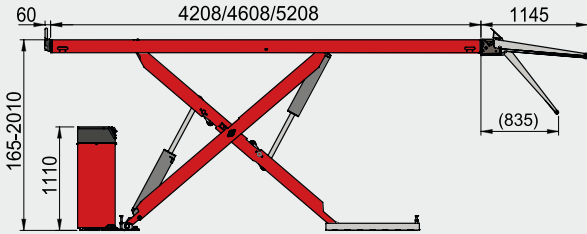
#### OPTIONAL ACCESSORIES

- Pair of cross pieces and pads for off-road vehicles.
  - Kit for flush installations.
- See separate catalogue for further accessories.

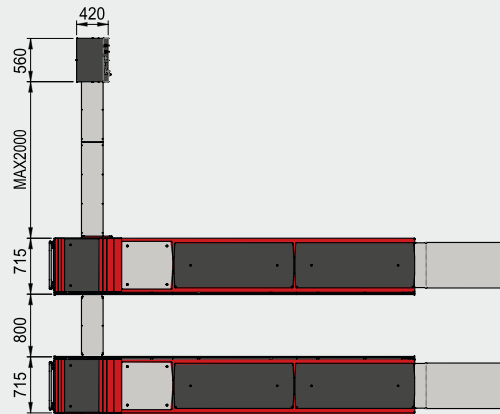
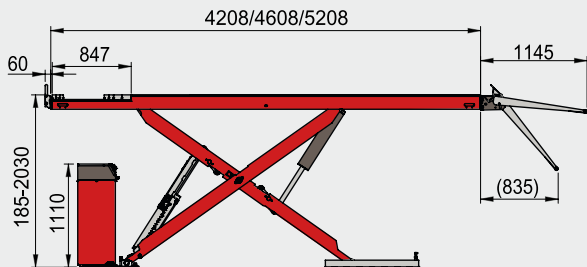


## DIMENSIONS

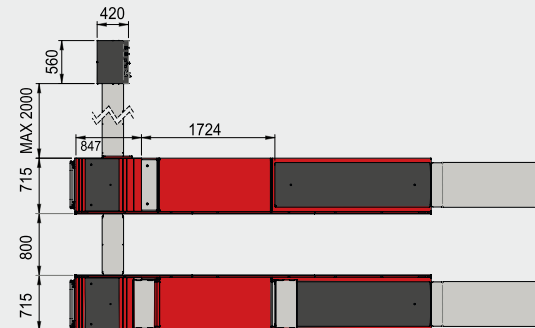
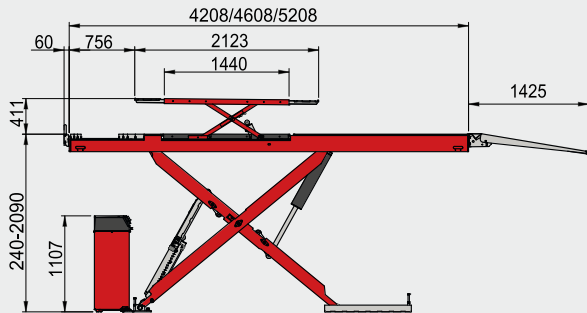
### PSR 55C - PSR 45C



### PSR 55C CT - PSR 45C CT



### PSR 55C CT LT - PSR 45C CT LT



## TECHNICAL DATA

### PSR55C - PSR 55C CT - PSR 55C CT LT

Main lift capacity	5500 kg
"LT" capacity	4000 kg
Lifting time	45 s
Motor	400/230V - 3kW 3Ph - 50/60Hz
Main lift max.lifting height	2010/2030/2090 mm
"LT" max.lifting height	411 mm
lift minimum height	165/185/240 mm
Runboard length	4608/5208 mm

### PSR45C - PSR 45C CT - PSR 45C CT LT

Main lift capacity	4500 kg
"LT" capacity	4000 kg
Lifting time	45 s
Motor	400/230V - 3kW 3Ph - 50/60Hz
Main lift max.lifting height	2010/2030/2090 mm
"LT" max.lifting height	411 mm
lift minimum height	165/185/240 mm
Runboard length	4208 mm

The manufacturer reserves the right to modify the features of its products at any time.

Cod. DPSC000627\_05/2024



NEXION SPA - ITALY  
www.sice.it - sice@sice.it



Designed in  
ITALY