

S793



**Digital wheel balancer
for truck wheels**



DIGITAL DISPLAY

Large display for immediate and intuitive access to all balancing programs.



WHEEL DIMENSIONS DETECTION

Intelligent system for measuring distance and wheel diameter **up to 30"**, equipped with the **Quick Program (QP)** and the new **Laser X** pointer.



DPA AND ELECTROMAGNETIC BRAKE

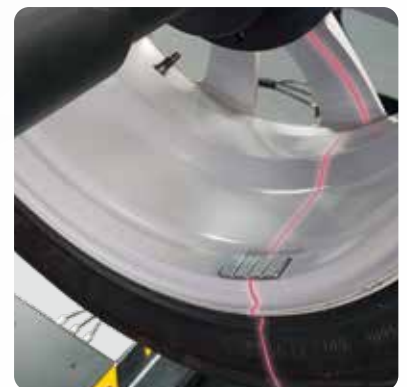
The Direct Positioning (**DPA**) function automatically sets the wheel in the correct balancing position at the end of the spin cycle, eliminating intermediate stops.

The **electromagnetic brake** simplifies the cleaning and application of the counterweights, making the mounting and demounting of the wheel **more efficient and less tiring**.

APPLICATION OF ADHESIVE COUNTERWEIGHTS

Adhesive counterweights can be applied in three different ways, depending on your preference:

- Ergonomically at **5 o'clock** using the new **Laser Line System** pointer.
- Manually at **6 o'clock**.
- Manually at **12 o'clock**, following the traditional method.



**SPACE SAVING
WHEEL GUARD 52"**

ES-7 AUTOMATIC SENSOR

for contactless measurement of wheel width
(optional)

**ROTATIONAL WIDE
WEIGHT TRAY**

**INCLINED
FRONT PART**

**INTEGRATED LED
ILLUMINATOR AND
LASER LINE SYSTEM
POINTER**

40 mm

**INTEGRATED LED ILLUMINATOR
AND LASER LINE PRO POINTER**

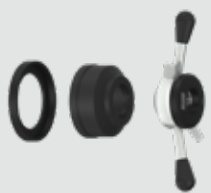
INTEGRATED WHEEL LIFTING SYSTEM 300 KG

SPECIAL FUNCTIONS AND PROGRAMS

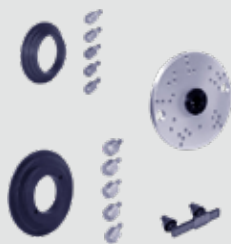
Wide range of programs for an easy and immediate use of the machine, including:

- 7 **balancing programs** for alloy rims for truck and car wheels, Dynamic, Static, Hidden weight
- 2 **working environments**
- Multi-operator**
- Imbalance optimisation** (Opt Flash)
- AWC**
- Software update via USB.**

RECOMMENDED ACCESSORIES



8-21100275_GTR40 EVO
Premium steel quick nut \varnothing 40x4 mm (for MO).



8-21100269_ART40 EVO
Premium Heavy-Duty adaptor Kit (10-8-6 hole).



8-21100293/90_ES-7
ES-7 width sensor

For further information, consult the complete accessories catalogue

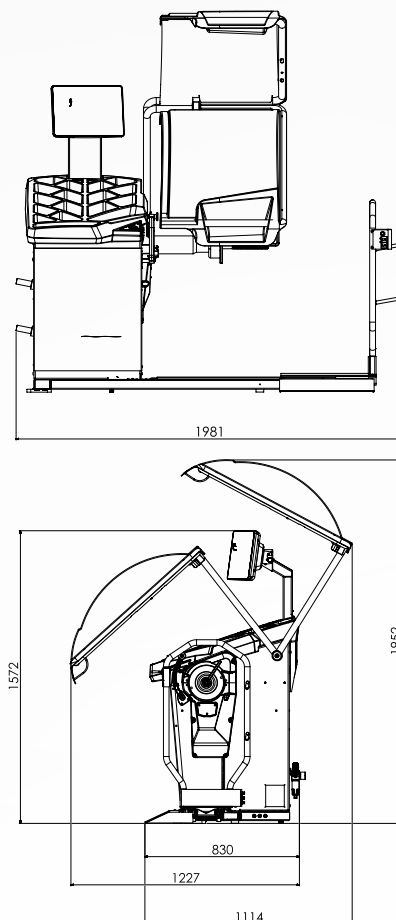
TECHNICAL DATA

Power supply	200/230V - 1Ph - 50/60Hz 100/115V - 1Ph - 50/60Hz
Total power absorption	370 W
Balancing speed	100 rpm car 80 rpm truck
Shaft diameter	40 mm (1,57")
Supply pressure	8 ÷ 12 bar (120 ÷ 165 psi)
Average measurement time	8 ÷ 16 s
Balancing precision	1 g car / 10 g truck
Settable rim width	1,5" ÷ 20" / 40 ÷ 510 mm
Settable rim diameter	10" ÷ 30" / 265 ÷ 765 mm
Maximum wheel weight (8 bar)	300 kg (660 lb)
Maximum wheel diameter	52" / 1321 mm
Machine weight	257 kg (566 lb)

STANDARD EQUIPMENT



DIMENSIONS



The manufacturer reserves the right to modify the features of its products at any time.

Cod. DPSC000683_03_2025